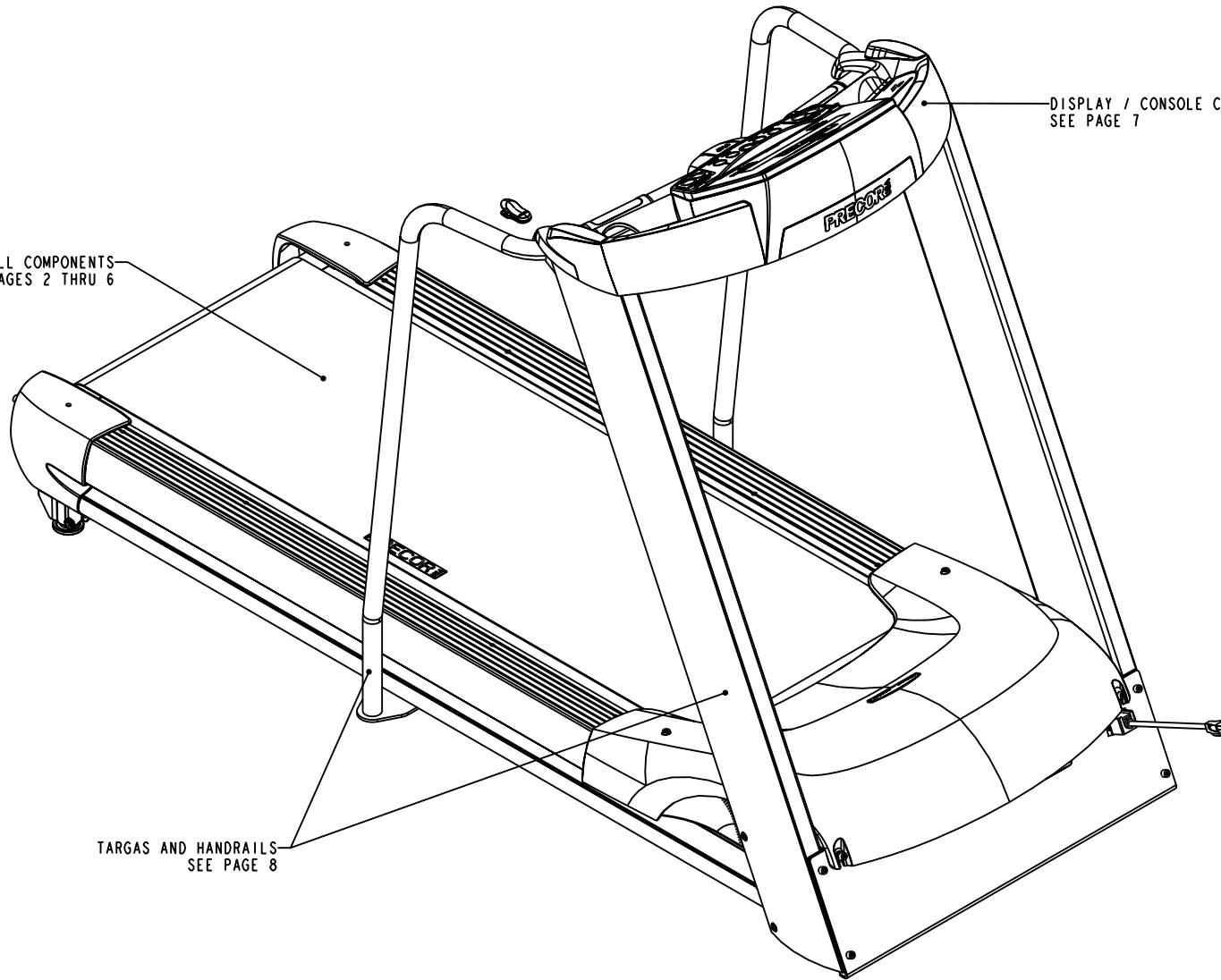


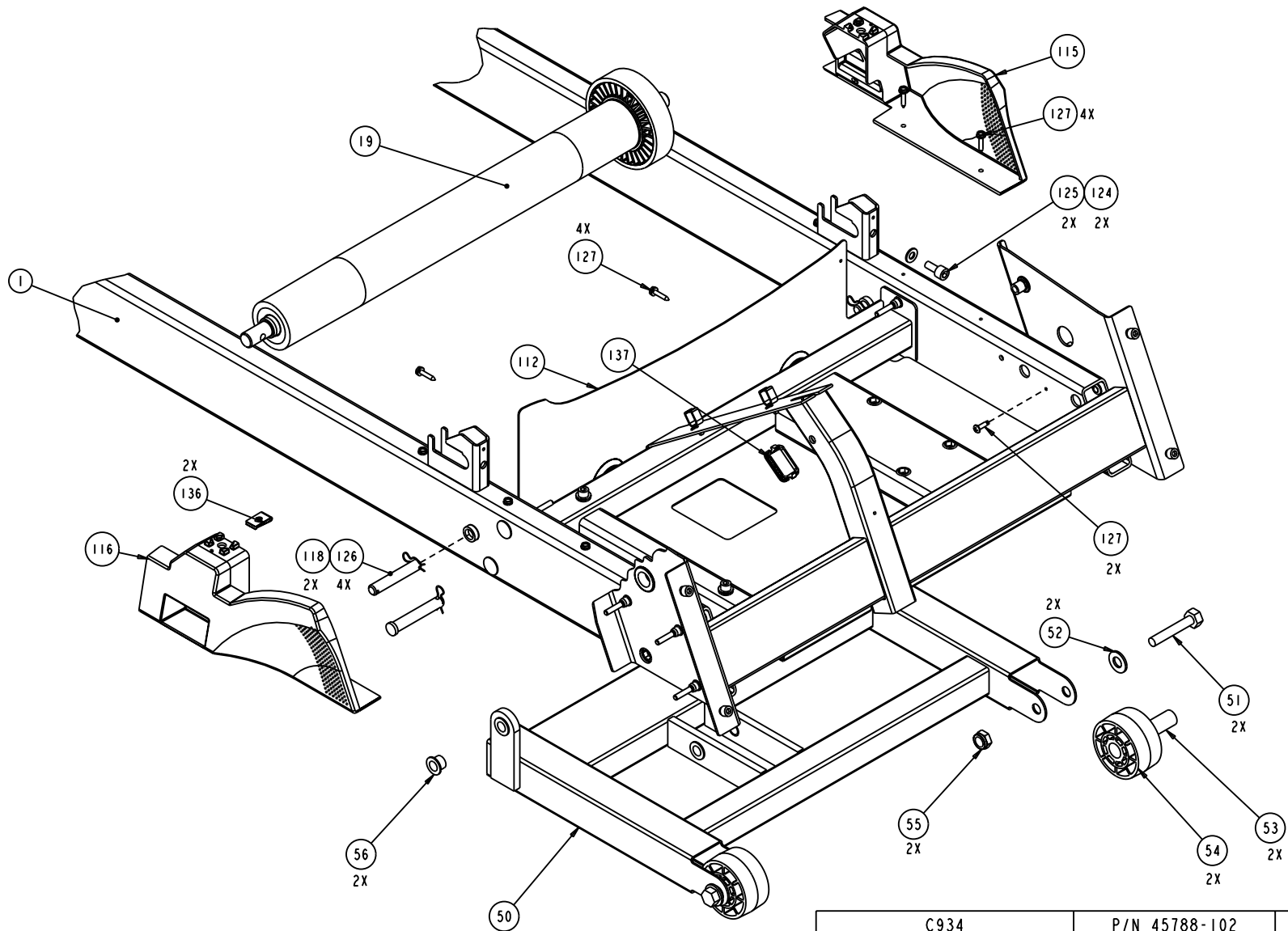
LOWER TREADMILL COMPONENTS  
SEE PAGES 2 THRU 6

DISPLAY / CONSOLE COMPONENTS  
SEE PAGE 7

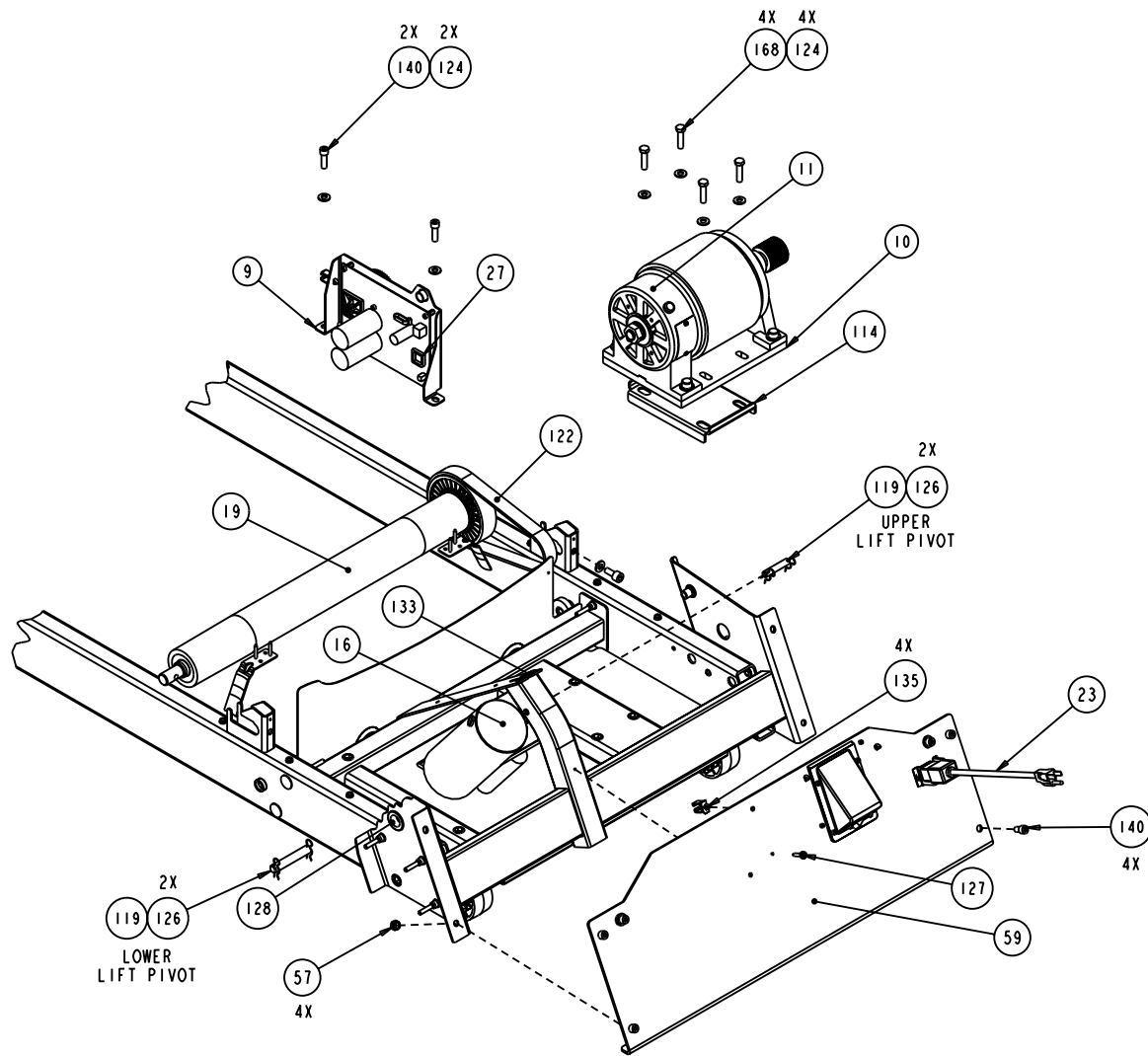
TARGAS AND HANDRAILS  
SEE PAGE 8



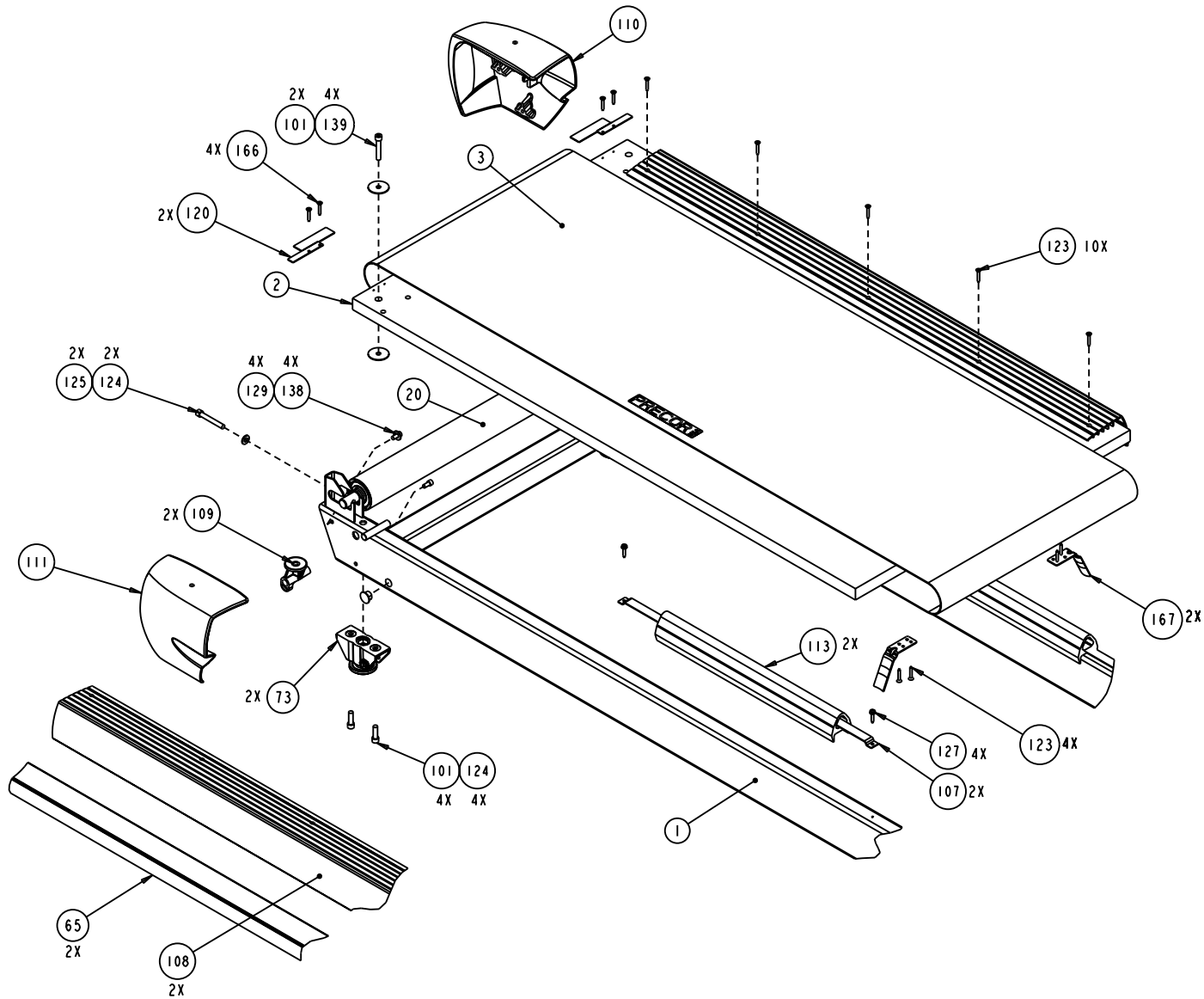
C934	P/N 45788-102	REV: M
DRAWN BY: M.HAMILTON	DATE: 08.03.05	SHEET 1 OF 8



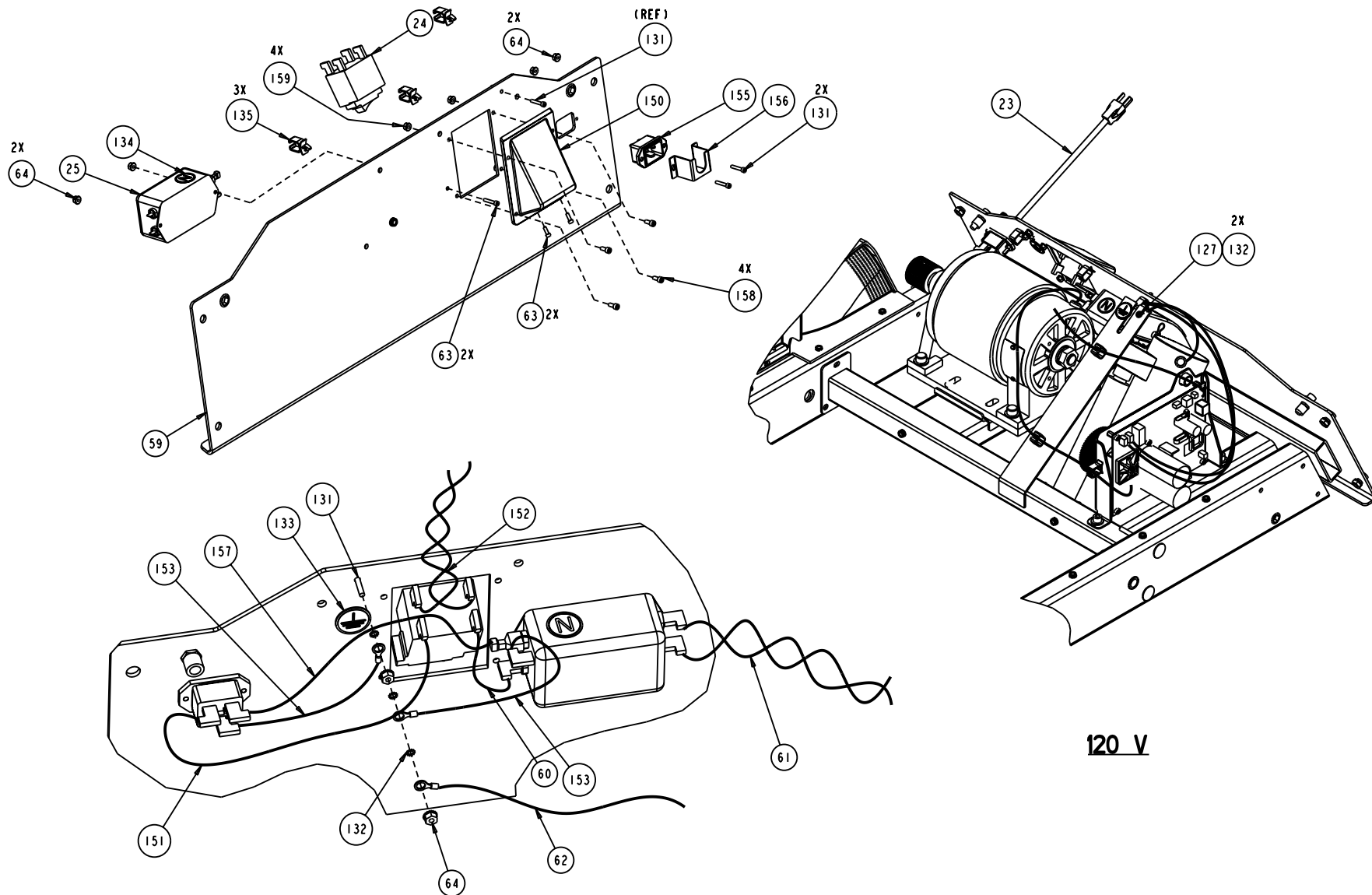
C934	P/N 45788-102	REV: M
DRAWN BY: M. HAMILTON	DATE: 08.03.05	SHEET 2 OF 8



C934	P/N 45788-102	REV: M
DRAWN BY: M.HAMILTON	DATE: 08.03.05	SHEET 3 OF 8

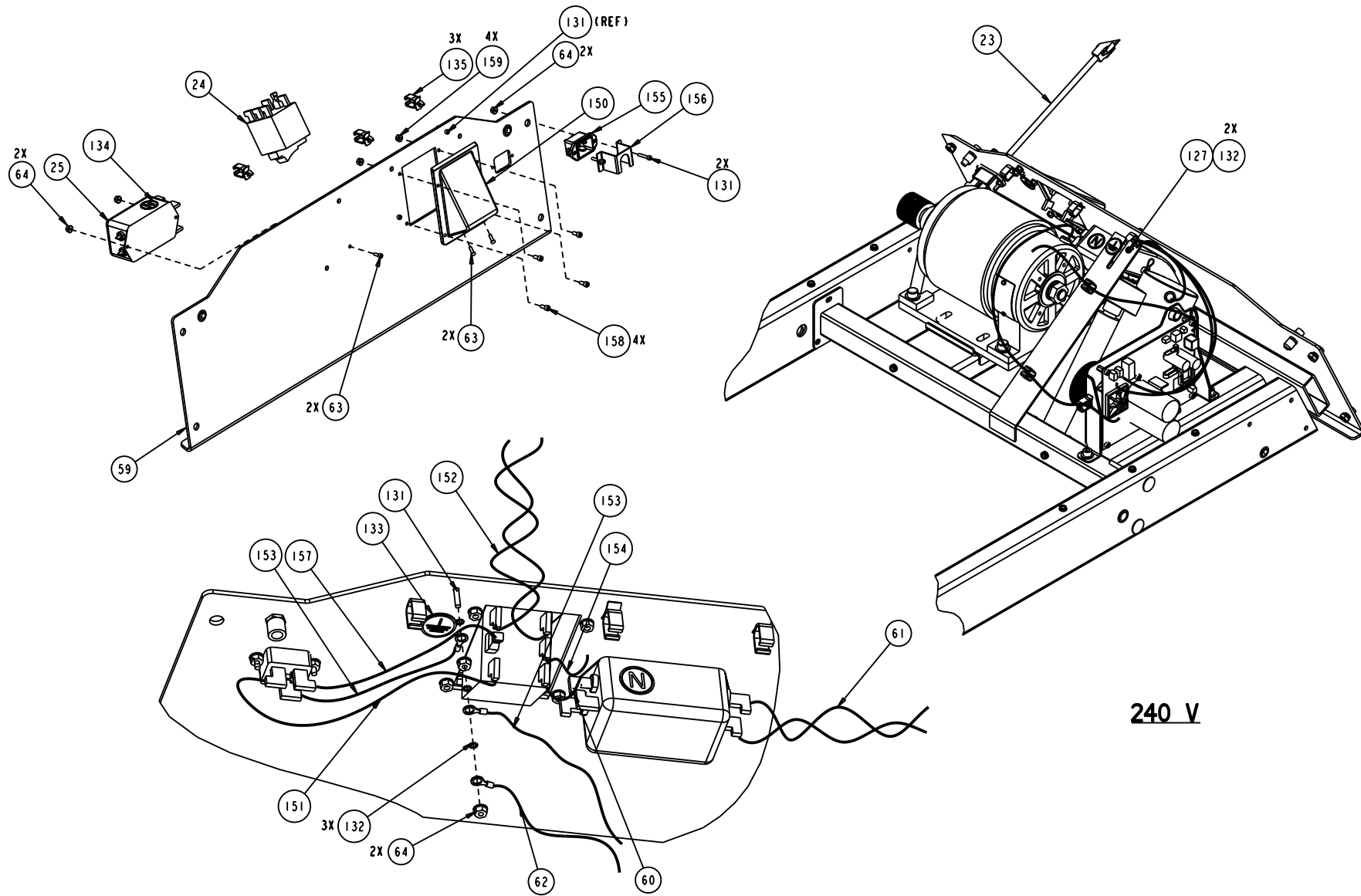


C934	P/N 45788-102	REV: M
DRAWN BY: M.HAMILTON	DATE: 08.03.05	SHEET 4 OF 8



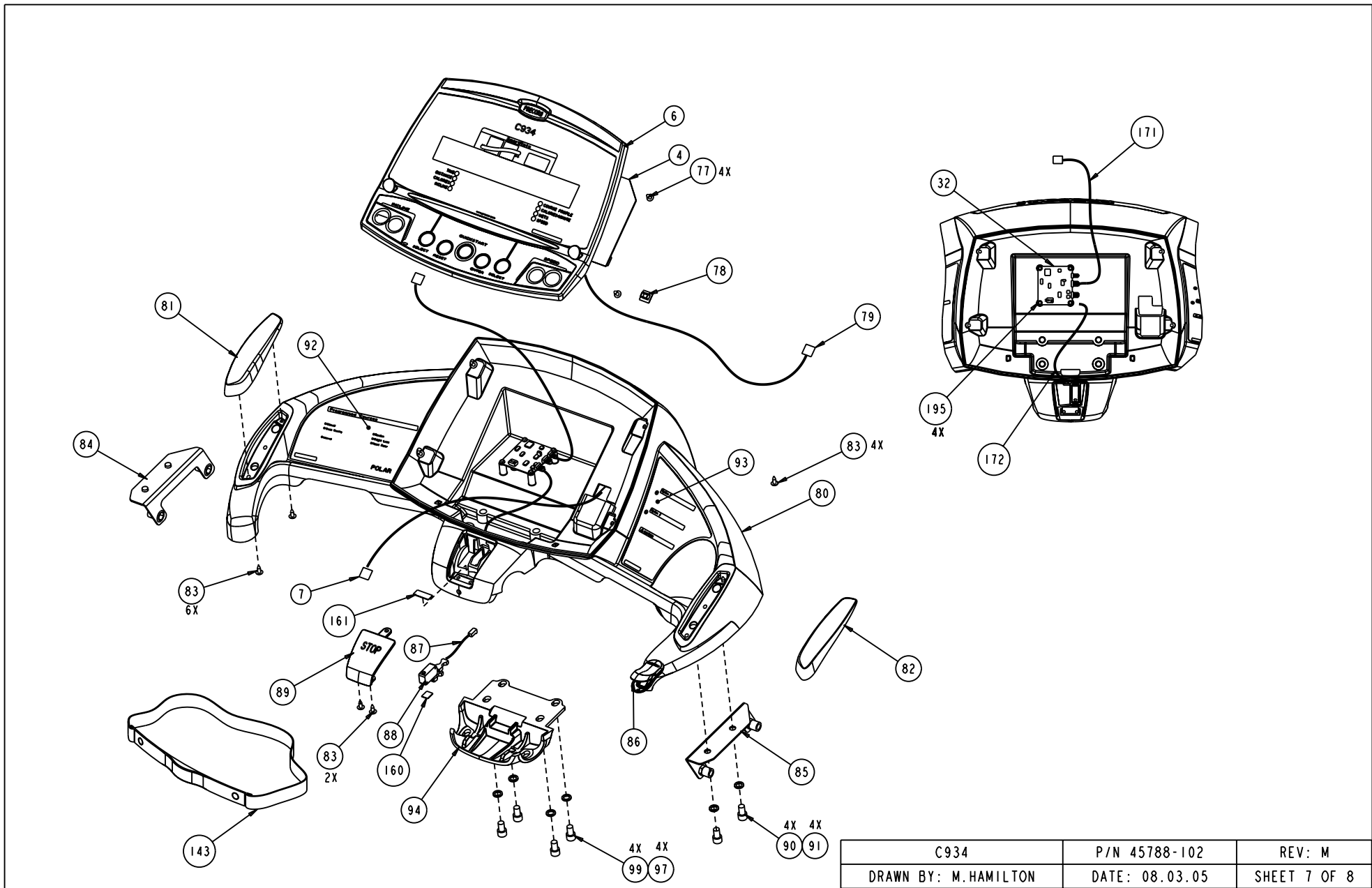
**WIRING DETAIL**  
 SOME DETAIL REMOVED FOR CLARITY

C934	P/N 45788-102	REV: M
DRAWN BY: M.HAMILTON	DATE: 08.03.05	SHEET 5 OF 8

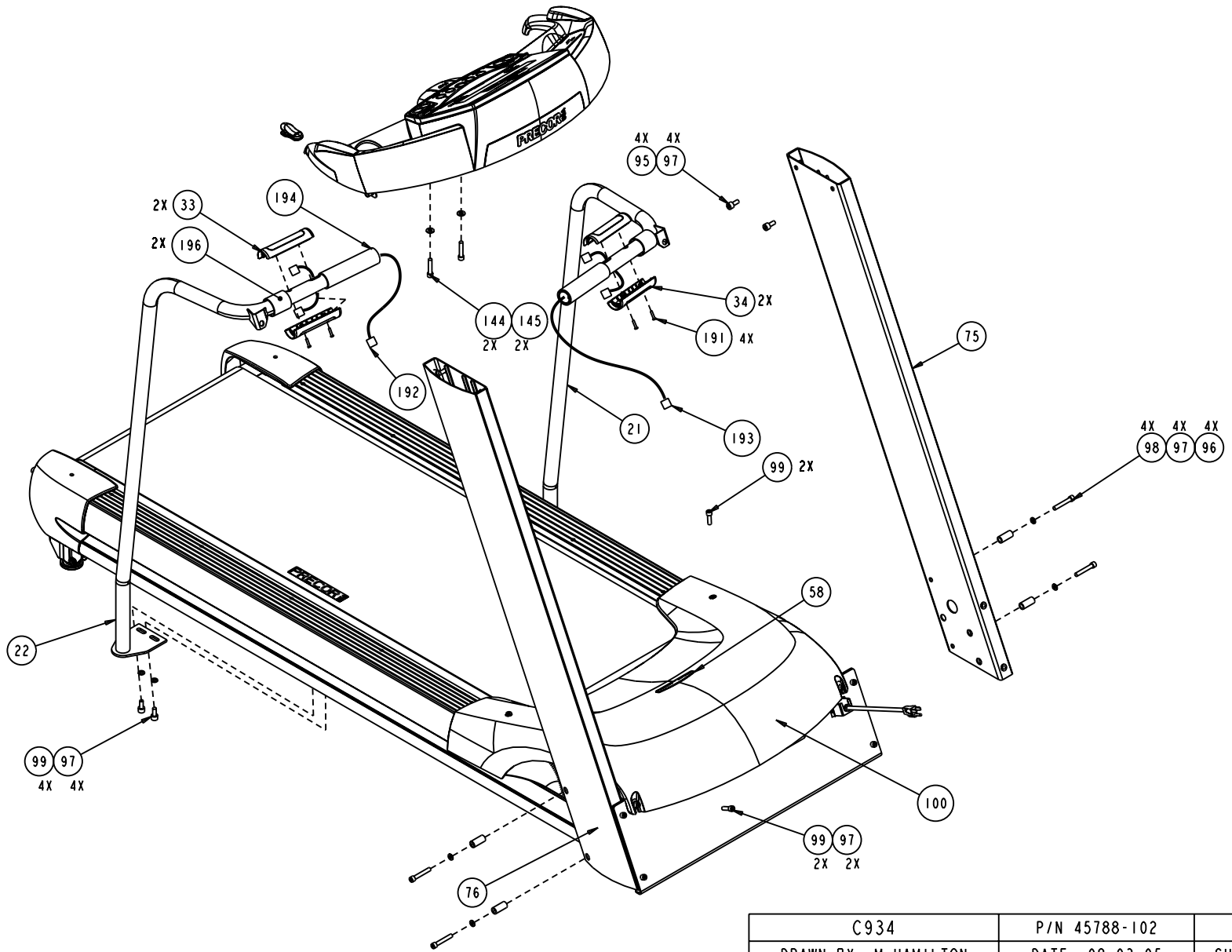


**WIRING DETAIL**  
SOME DETAIL REMOVED FOR CLARITY

C934	P/N 45788-102	REV: M
DRAWN BY: M.HAMILTON	DATE: 08.03.05	SHEET 6 OF 8



C934	P/N 45788-102	REV: M
DRAWN BY: M.HAMILTON	DATE: 08.03.05	SHEET 7 OF 8



C934	P/N 45788-102	REV: M
DRAWN BY: M.HAMILTON	DATE: 08.03.05	SHEET 8 OF 8